



Ropox Vision High-Low User Manual

Keep always this folder with product!

Contents:

1. INTRODUCTION	3
2. COMPLIANCE WITH EU-DIRECTIVES AND UK-DIRECTIVES	3
3. APPLICATION	3
4. TECHNICAL DATA.....	4
5. LIST OF COMPONENTS	5
6. MOUNTING INSTRUCTIONS TABLE A+B.....	7
7. START-UP PROCEDURE	9
8. PERFORMANCE TEST.....	9
9. SAFETY IN USE	10
10. ADJUSTMENT OF TABLE.....	11
11. CLEANING/ MAINTENANCE	12
<i>11.1 Frame.....</i>	<i>12</i>
<i>11.2 Tabletop, laminated surfaces</i>	<i>12</i>
<i>11.3 Maintenance.....</i>	<i>12</i>
12. TROUBLE SHOOTING	13
<i>12.1 The table seems loose or unstable.....</i>	<i>13</i>
<i>12.2 The table cannot be adjusted in height or tilt adjustment seems very difficult.....</i>	<i>13</i>
<i>12.3 The table does not move straight.....</i>	<i>13</i>
13. COMPLAINTS	14

1. Introduction

Ropox Vision High-Low is the new range of modern height-adjustable Ropox tables. In our opinion a product must be functional and beautiful – no matter who is going to use it. That's what we call Vision.

Ropox Vision High-Low meets all needs and ensures ergonomically correct working positions for people with or without disability.



This document should always accompany the product and be read by and be available to the user. Correct use, operation and inspection are decisive factors for efficient and safe performance.



As this product is adjustable in height there is a risk of squeezing. The product must therefore always be operated by or under the guidance of an experienced adult, who has read and understood the importance of section 8 "Safety in use".

It is very important that there are no obstacles between the tilted tabletop and the frame to prevent any change of entrapment.

2. Compliance with EU-Directives and UK-Directives

This product has CE-marking according to the current Directives and thus complies with the basic safety requirements.

This product has UKCA-marking according to the current Directives and thus complies with the basic safety requirements.

3. Application

Vision High-Low is designed to obtain optimum working height for the user. It is an activity table not intended for lifting people or objects. Vision should be used indoor, at normal temperatures and humidity.

4. Technical data

Product:	Ropox Vision High-Low
Item numbers:	Electrical: Vision High-Low, 90x60 cm, A 20-60800 Vision High-Low, 90x60 cm, B 20-60801 Vision High-Low, 120x60 cm, A 20-60810 Vision High-Low, 120x60 cm, B 20-60811
Height range:	62–127 cm incl. tabletop
Frame material:	Steel St. 37 Various plastic components
Surface treatment:	Powder coating, various colours Chromating
Tabletop:	Etronit-M laminate
Max. load on the table (static):	100 kg evenly distributed over the entire tabletop
Max. load during lifting (dynamic):	80 kg
Max. load on the tabletop tilted (static):	30 kg
Max. load during tilting the tabletop (dynamic):	4 kg
Power supply:	230VAC / 2.5A / 50 Hz - Alternatively 100VAC / 50/60 Hz
Standby primary:	≤0,1W
Control voltage:	24VDC
Duty circle:	Max. 10 % conform to 2 min. active / 18 min. pause
Speed:	Approx. 38 mm/sec
Temperature:	5-45°C
Air humidity:	5-85% (non-condensing)
Complaints:	See complaints, section 14
Manufacturer:	Ropox A/S, DK-4700 Naestved, Tlf.: +45 55 75 05 00 E-mail: info@ropox.dk, www.ropox.com

5. List of components

Tabletop 1pc
Contained in tabletop:

Tabletop:

A 90x60cm: 64109060
B 90x60cm: 64109061
A 120x60cm: 64112060
B 120x60cm: 64112061

Frame:

1pc
A + B 90x60cm: 20-60800-117
A + B 120x60cm: 20-60800-101

Control unit:

A: 93000198 1pc
B: 20-60800-126 1pc

Motor cable:

A: 93000068 2pcs
B: 93000068 3pcs

Power cable:

93000006 1pc

Control switch for table A :

93000039 1pc

Control switch for table B:

93000039 1pc
93000182 1pc

Front profile:

90x60cm: 20-60320-077 1pc
120x60cm: 20-60320-108 1pc

Bracket for tabletop (only for table A):

90x60cm: 97702-034 1pc
120x60cm: 97702-034 1pc

Motor for tilting the tabletop (only for table B):

20-60800-127 1pc

Gear housings for tilting (only for table B):

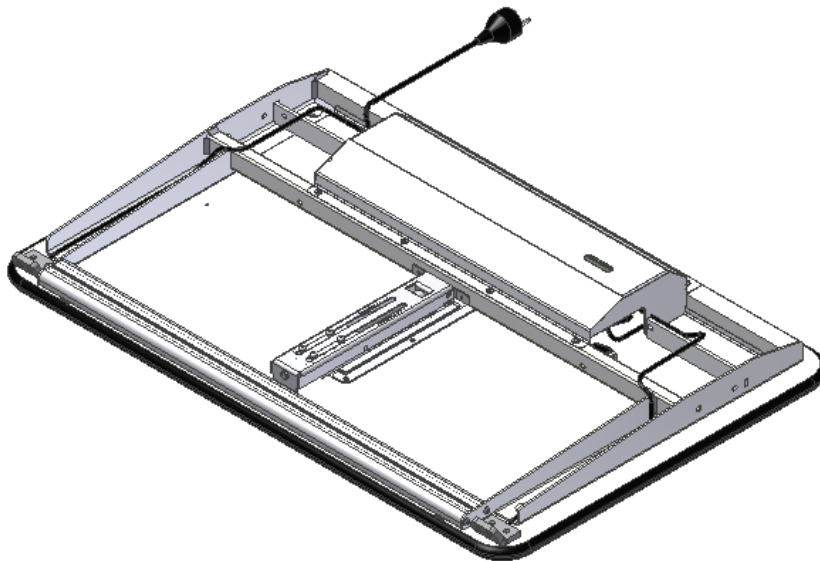
96000656 1pc

Hinge for tabletop (only for table B):

20-60320-140 2pcs

Angle adjustment bracket (only for table B):

90x60cm: 20-60320-026 1pc
120x60cm: 20-60320-026 2pcs



Cover:

90x60cm: 20-60800-095 1pc

120x60cm: 20-60800-105 1pc

Leg with motor: 93000175 2pcs



Feet: 2pcs

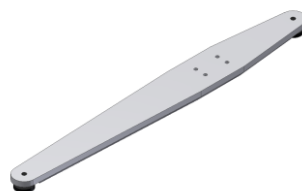
90x60cm: 20-60800-078

120x60cm: 20-60800-078

Contained in feet

Adjustment screw \varnothing 32:

96100916 4pcs



Allen key 4mm:

95001019 1pc



Allen key 5mm:

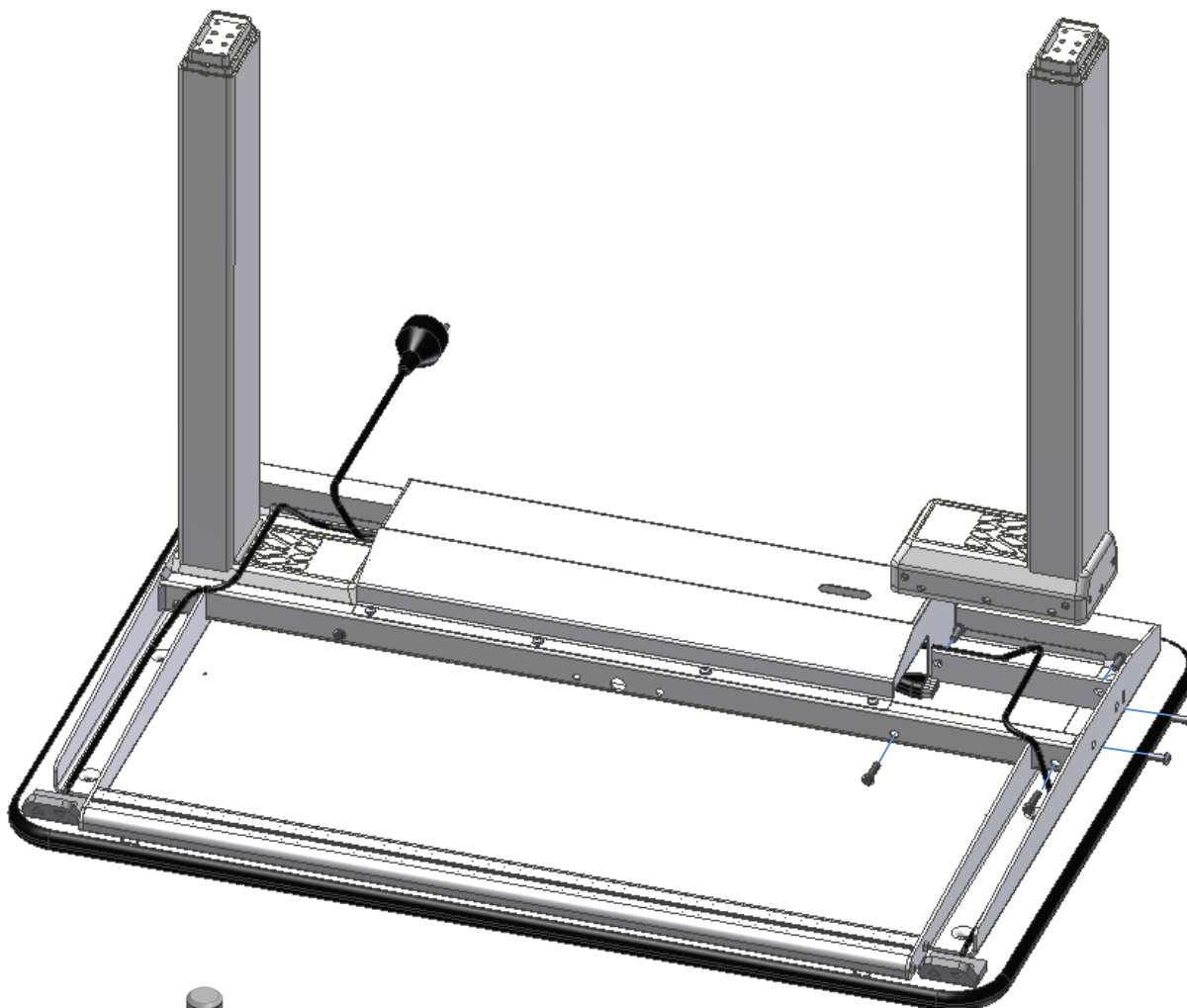
95000005 1pc



6. Mounting instructions table A+B

Keep worktop in box while mounting.

Mount both legs on the table. Place motor housing under/beneath the switch control. Mount motor cable into motor housing. Fasten afterwards with enclosed screws.



4pcs M6x25

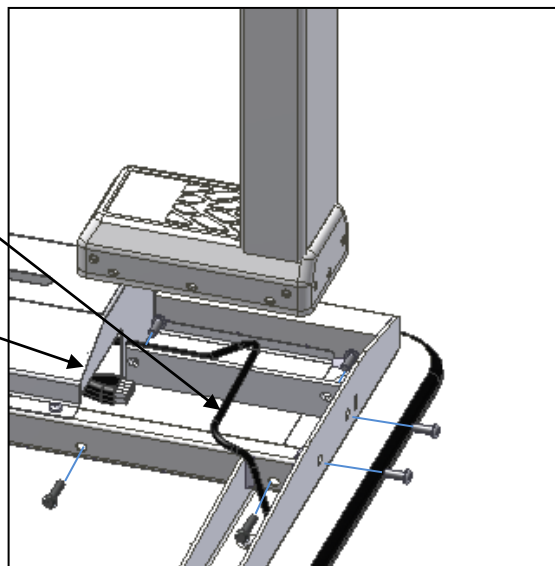


8pcs M6x16

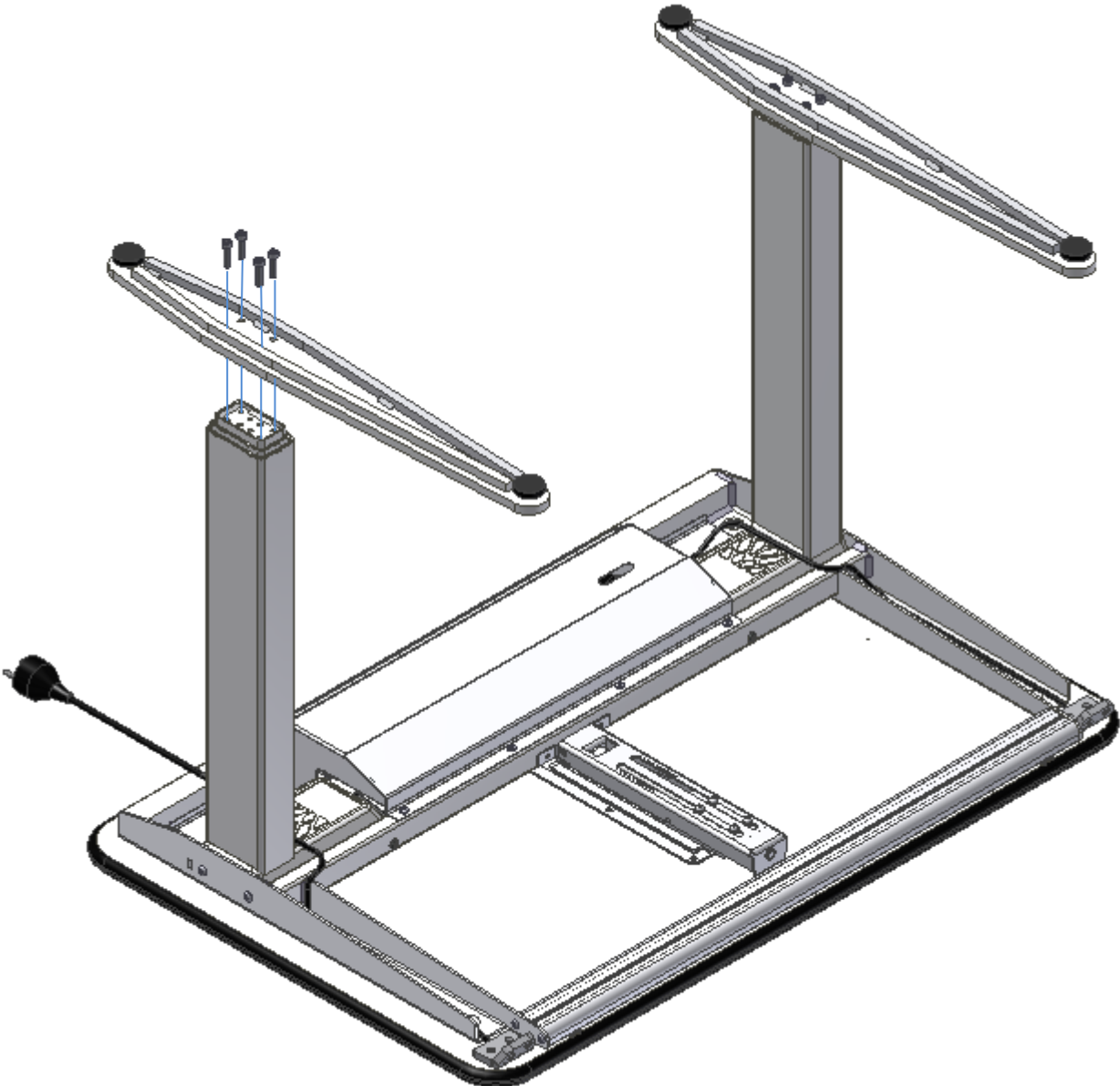


Cable for control switch

Cable for motor



Mount feet on the legs



8pcs. M6x25



7. Start-up procedure

Model A (without tiltable table top):

1. Press DOWN on the control switch for heightadjustment, move the table to bottom position. Hold the button until the table stops completely.
2. Press the DOWN button again and keep it depressed for 5 sec. The table can now move up.

Model B (with tiltable table top):

1. Press DOWN on the control switch for heightadjustment, move the table to bottom position. Hold the button until the table stops completely.
2. Press the DOWN button again and keep it depressed for 5 sec. The table can now move up.
3. Press DOWN on the control switch for tilting the tabletop, move the tabletop to bottom position. Hold the button until the tabletop stops completely.
4. Press the DOWN button again and keep it depressed for 5 sec. The tabletop can now move up.

8. Performance test

After mounting and prior to use all functions of the table must be tested. After that a performance test must be carried out at least once a year by competent personnel:

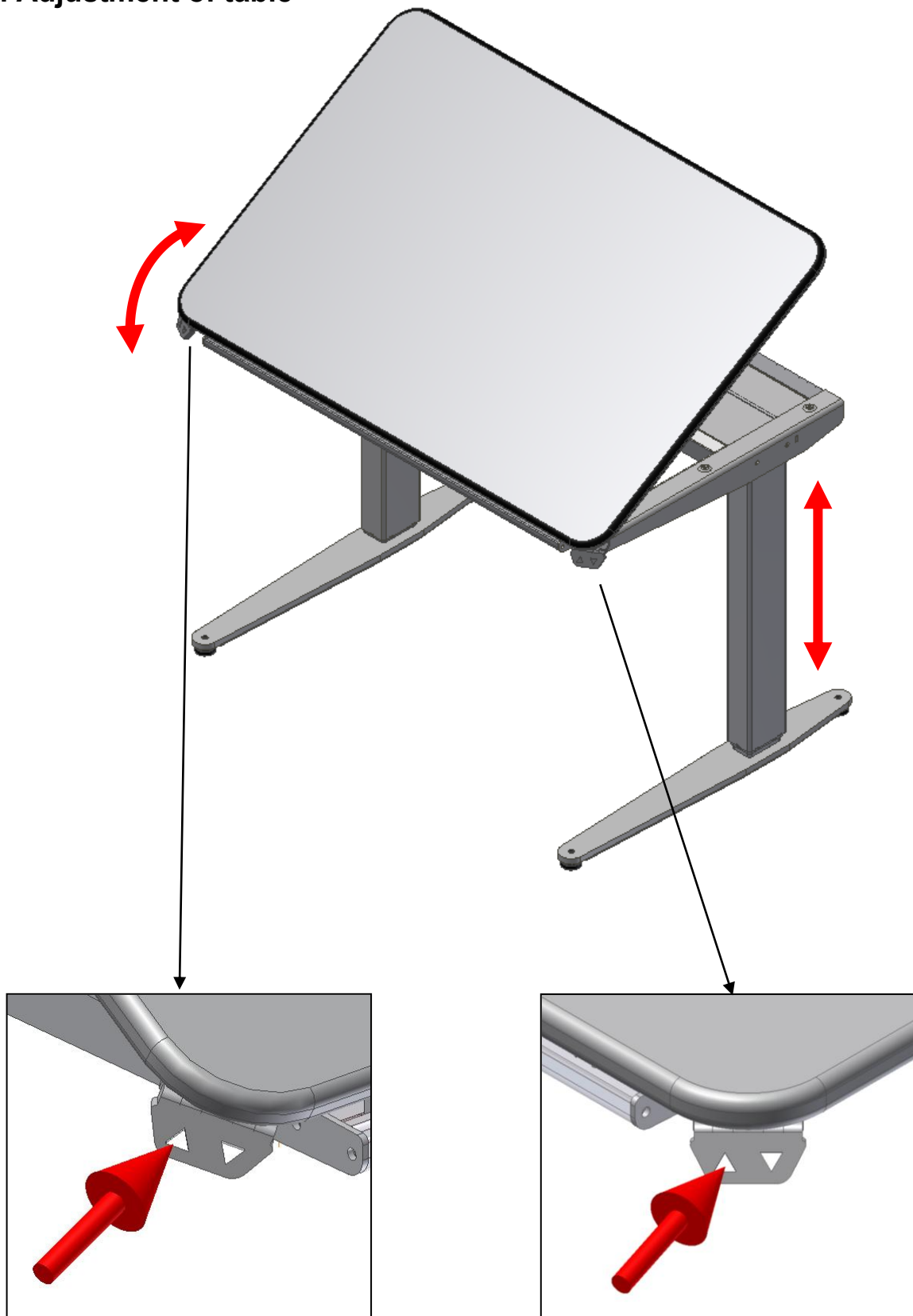
1. There must be no load on the table.
2. There must be no objekt or the like preventing the table from moving freely within the range of height adjustment.
3. Connect the power cable and move the table to buttom position. Check that the movement is even and smooth.
4. Then move the table to top position and check that the movement is even and smooth.
If the table has a tiltable table top:
5. Make sure to execute a complete inclination of tabletop. Check that the movement is even and smooth.

When all these tests have been carried out the table is ready for use.

9. Safety in use

- Ropox Vision High-Low should only be used by people who have read and understood these instructions.
- Ropox Vision High-Low is not intended for lifting people or objects.
- When using the table with arm supports, verify that the supports are correctly placed and stable before using the product.
- If the table has caster wheels, it is recommended to always have the casters locked whenever the table is not being moved. This is to avoid any risk associated with unintentional movement of the table.
- Always use the table in a manner precluding the risk of damage to persons or property. The person, who operates the table, is responsible for avoiding damage or injury.
- Children and people with reduced observational ability must only be allowed to operate the table under supervision.
- When the table is used in publicly accessible locations where children or other people with reduced observational capability may get close to it, the person operating the table must pay utmost attention in order to prevent dangerous situations.
- Make sure that there is free space above and below the table to allow height adjustment.
- Do not operate the table in the case of errors or damage.
- Do not overload the table and make sure that the load distribution is correct.
- In connection with inspections, service or repairs make sure that the table is not loaded.
- Any modification of the table, which may influence its operation or construction, is forbidden.
- Only use Ropox original spare parts as replacement parts. If other spare parts are used, the guarantee may become void.

10. Adjustment of table



11. Cleaning/ Maintenance

11.1 Frame

Clean the frame with a damp cloth using lukewarm water and ordinary cleaning agents. Do not use corrosive/ abrasive liquids or grinding cloths, brushes or sponges. Dry the frame after cleaning.

11.2 Tabletop, laminated surfaces

Clean the Etronit-M surface with a soft cloth firmly wrung in hot water with a little liquid detergent. The detergent should be without sulphonic soap as this may result in a greasy surface. Stains that cannot be removed with water can often be removed with a mixture of equal parts chlorine bleaching and water or with acetone. When using these products see that the room is sufficiently ventilated and note that these products should not be used on the frame.

Stains from felt-tip pencils can be removed using methylated spirit and pencil strokes can be removed with a piece of eraser. In case of doubt, we recommend you to experiment on a spot that cannot be seen as certain products may damage the laminate, e.g. sulphuric acid etc.

Some chemicals, ink and strongly colouring fruit juices may cause discoloration if they remain on the table for a longer period of time as the pigmentation sticks to the surface. Do not use steel wool, scouring powder and other abrasive products or detergents leaving a film on the surface, e.g. yellow soap.

After cleaning, wash the table with a soft cloth firmly wrung in clean water and dry with a cloth.

11.3 Maintenance



Inspections, service and repairs must be carried out by competent personnel.



After power failures always reset the table before use.

The frame is maintenance-free and the moving parts have been lubricated for life. For reasons of safety and liability we recommend inspection of the frame once a year:

- Check that all bolts have been tightened.
- Check that the table moves freely and without problems from bottom to top position.
- **Resetting the frame:** Press the DOWN button and adjust the frame to bottom position. Press the DOWN button once more and keep it pressed for 5 sec. to reset the control unit. Check that the movement is smooth and even. Make sure that the mains cable moves freely.
- Check that all cables have been mounted correctly and are undamaged.

Only use Ropox original spare parts as replacement parts. If other spare parts are used, the guarantee may become void.

12. Trouble shooting

12.1 The table seems loose or unstable

- The screws assembling the frame have not been securely tightened.
- Tighten all screws of the frame. See assembly instructions.

12.2 The table cannot be adjusted in height or tilt adjustment seems very difficult

- Check mains voltage to control unit and that the power has been switched on.
- Check cables and plug-in connections between control unit and motor.
- Check cable and plug-in connection between control unit and hand control switch.

12.3 The table does not move straight

- If the table does not move straight it must be reset. See Maintenance 11.3 "Resetting".

13. Complaints

We refer to our general Terms of sale and delivery on our homepage www.ropox.com



ROPOX A/S

Ringstedgade 221
DK – 4700 Naestved
Tel.: +45 55 75 05 00
E-mail: info@ropox.dk
www.ropox.com